

DETASULTRA[®]

solutions around the cable

DIVISIBLE FRAMES FOR CABLES WITH AND WITHOUT CONNECTORS
ENTRY PLATES FOR CABLES WITHOUT CONNECTORS • **STRAIN RELIEF MODULES**
EMC SHIELDING • DIVISIBLE CORRUGATED CONDUITS
ACCESSORIES • ATEX CABLE ENTRY SYSTEMS



NEW PRODUCTS 2026

DETAS 130 

ENG

2026 NEWS INDEX

GROUP 1

SPLITTABLE FRAMES FOR CABLES WITH AND WITHOUT CONNECTORS



DES DIVIA

3



DES LC

6



SPC

10



SPC R

10



SPN

11



SPG 2R

12



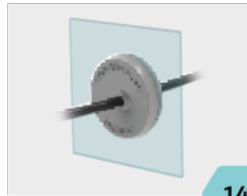
ISP

12



DES HZ

13



DES PMA

14



DES PMAC

15



DES PMAQ

17

GROUP 2

ENTRY PLATES FOR CABLES WITHOUT CONNECTORS



DES PMH 24

18



DES PM 16

19



DES PM M20

20

GROUP 3 AND 4

STRAIN RELIEF MODULES AND EMC SHIELDING



APD

21



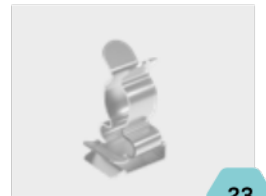
MSAD

22



MSRK

23



MSRQ

23



EMC AP

24



EMCZ M

25



MB

26



DES DIVIA

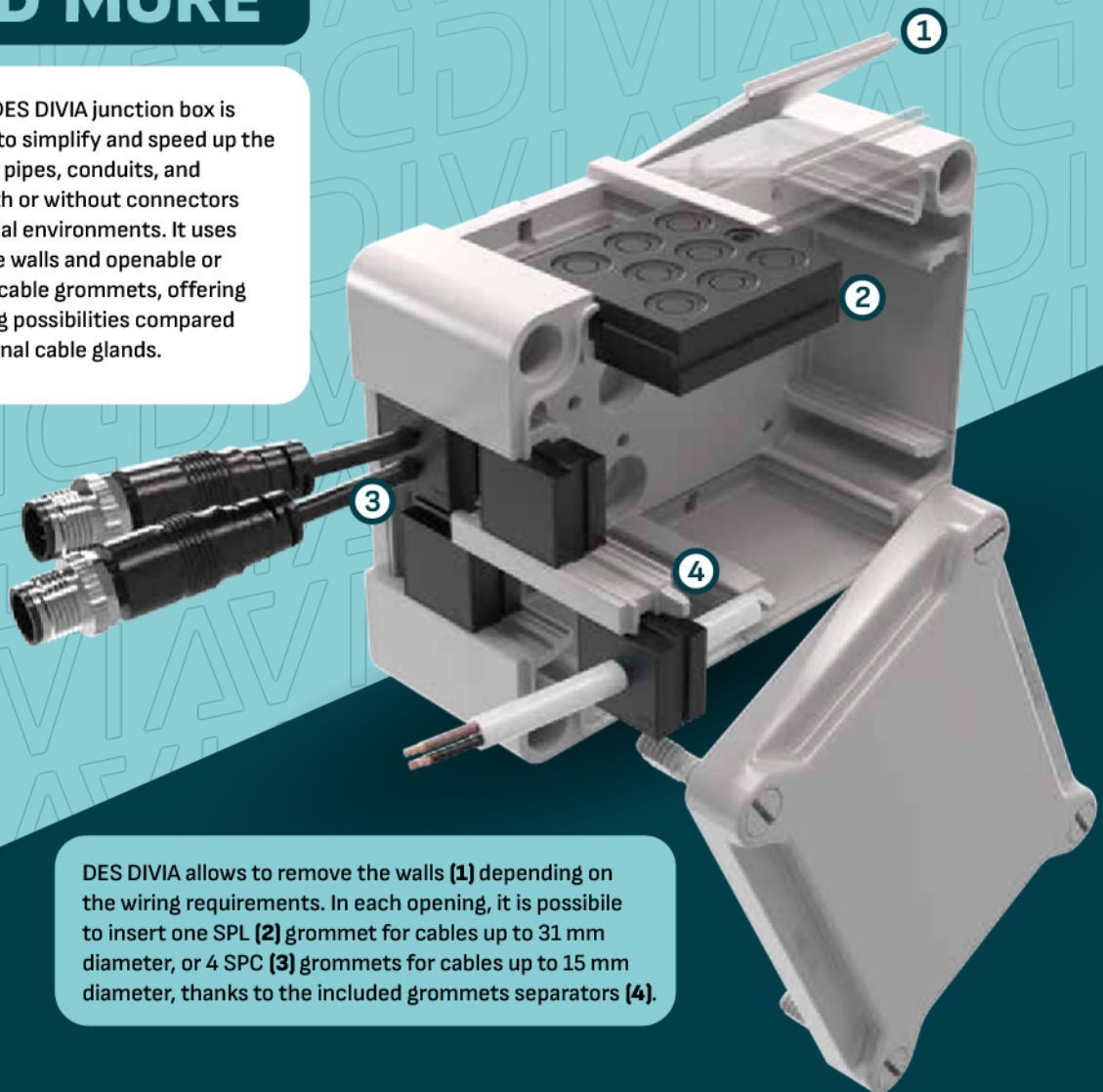
Junction box for cables with and without connectors



DES DIVIA

DESIGNED FOR CONNECTORIZED CABLES AND MORE

The new DES DIVIA junction box is designed to simplify and speed up the routing of pipes, conduits, and cables with or without connectors in industrial environments. It uses removable walls and openable or piercable cable grommets, offering new wiring possibilities compared to traditional cable glands.



DES DIVIA allows to remove the walls **(1)** depending on the wiring requirements. In each opening, it is possible to insert one SPL **(2)** grommet for cables up to 31 mm diameter, or 4 SPC **(3)** grommets for cables up to 15 mm diameter, thanks to the included grommets separators **(4)**.



WORK SMARTER, SAVE YOUR TIME!

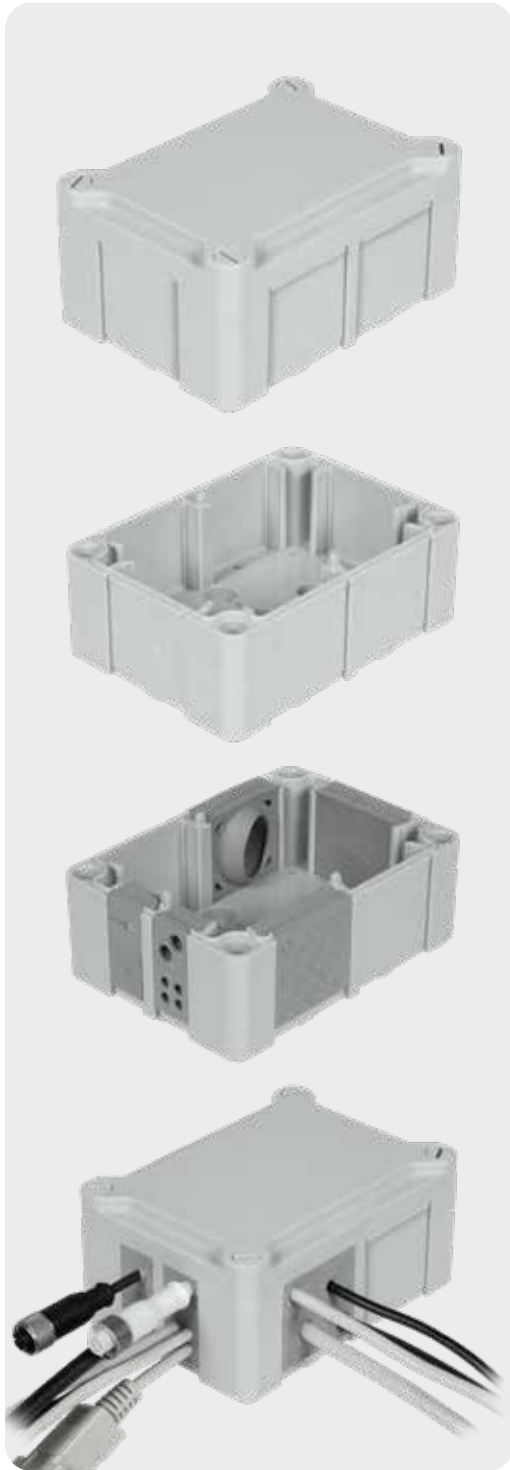
IP54
IP66



RoHS
COMPLIANT

IK10

GROUP
1



EASY INSTALLATION AND MAINTENANCE

TIME SAVING

Quick installation even on existing wiring, no manual drilling, less assembly steps thanks to the removable walls and the predisposition for cable grommets.

FLEXIBLE CONFIGURATION

REDUCTION OF STOCK COMPONENTS

A single box combined with interchangeable grommets covers a wide range of applications thanks to the highly configurable cable entry system.

HIGHER WIRING DENSITY

SPACE SAVING

It accommodates a large number of cables in a small space thanks to multi-hole grommets.

MORE WIRING OPTIONS

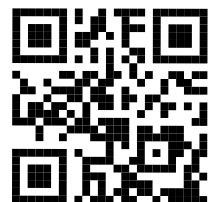
FOR HEADED AND UNHEADED CABLES

Openable grommets enable routing of pre-terminated cables, while pierceable grommets allow fast installation of cables without connectors.

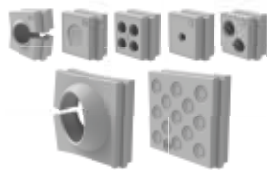
DISCOVER ALL THE ADVANTAGES

REQUEST YOUR

DEMO KIT



IT CAN BE SET UP WITH THE COMPLETE RANGE OF SPC AND SPL GROMMETS





DES DIVIA



Junction box for cables with and without connectors

FEATURES

- It can be equipped with the complete range of SPC and SPL grommets
- Removable walls on each side of the junction box
- Designed for easy insertion of grommets
- Up to IP66 (IP54 with grommets)
- Dimensions (mm): L: 130 / W: 94 / H: 62
- Captive screws included
- Ready for internal DIN rail mounting (TH35 and TH15)



APPLICATION:

- Industrial Automation
- Electrical Panels
- Industrial Systems
- Distribution Systems
- Control and Signaling Systems

Material: PC+ABS, halogens and silicones free

Flammability: self-extinguishing acc. to UL94-V0

Temperature: -40°C... +130°C (static)

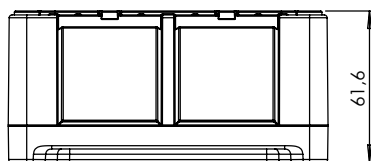
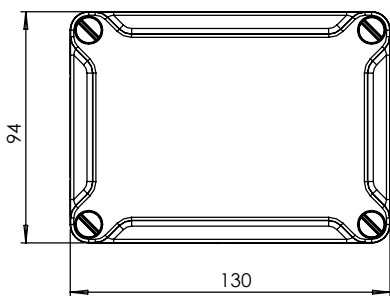
RELATED PRODUCTS

- SPC grommets
- SPL grommets

Model	Code	Dimensions (mm)	Pcs (/pack)
DES DIVIA 130.94A	1731613094	130 x 94 x 62	1
Upon request	Internal and external fixing plates		

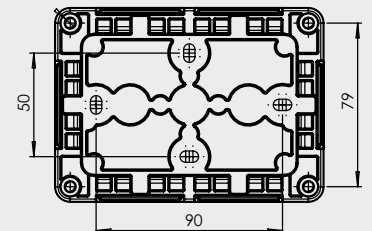
The grommets are sold separately

Dimensions (mm)



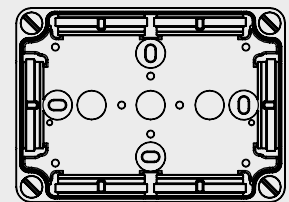
Thickness: 3mm

HOLES



INTERNAL VIEW

Suitable for
DIN TH15 and TH35 rails



IP54
IP66



RoHS
COMPLIANT

IK10

GROUP

1



DES LC24

Splittable frame for cables with and without connectors

FEATURES

- For SPC and SPN grommets
- Stainless steel screws
- Strain relief according to EN 62444
- IP54
- Integrated UL94-V0 gasket

The DES LC24 is a split cable entry frame designed for quick and flexible routing of pre-terminated or unterminated cables. It supports both small and large grommets of the SPC and SPN ranges, allowing multiple cable configurations.

The frame features a pre-assembled gasket for direct mounting onto the cabinet, and is secured using stainless steel screws.

The complete system (frame, grommets and gasket) is certified to UL94 V0.

Material: PP+GF, halogens and silicones free

Flammability: self-extinguishing acc. to UL94-V0 including gasket

Temperature: -40°C... +130°C (static)

RELATED PRODUCTS

- SPC grommets
- SPN grommets
- DES FLAP CLICK
- HY360 hydraulic punch driver



Model	Code	Some possible configurations	Cut-out (mm)	Pcs (/pack)
DES LC24	1731010340		112 x 36	10
DES LC24/2	1731010342		112 x 36	

ON REQUEST

Mounting screws	1731991020	Set of 4 mounting screws in AISI304 with Black Geomet finishing
-----------------	------------	---

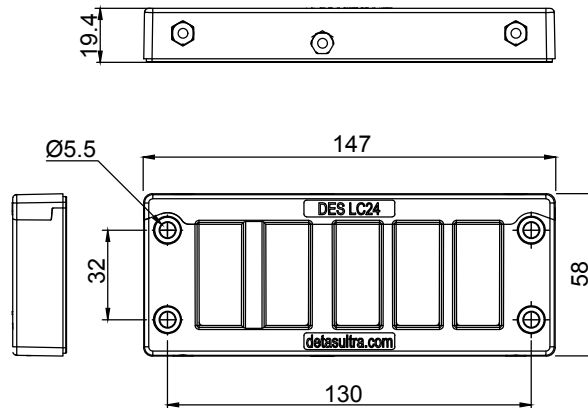
DES LC24



DES LC24/2



Dimensions (mm)



GROUP
1



IP54

NEMA
12



IK10

DES LC16



Splittable frame for cables with and without connectors

FEATURES

- For SPC and SPN grommets
- Stainless steel screws
- Strain relief according to EN 62444
- IP54
- Integrated UL94-V0 gasket

The DES LC16 is a split cable entry frame designed for quick and flexible routing of pre-terminated or unterminated cables. It supports both small and large grommets of the SPC and SPN ranges, allowing multiple cable configurations.

The frame features a pre-assembled gasket for direct mounting onto the cabinet, and is secured using stainless steel screws.

The complete system (frame, grommets and gasket) is certified to UL94 V0.

Material: PP+GF, halogens and silicones free

Flammability: self-extinguishing acc. to UL94-V0 including gasket

Temperature: -40°C... +130°C (static)

RELATED PRODUCTS

- SPC grommets
- SPN grommets
- HY360 hydraulic punch driver



Model	Code	Some possible configurations	Cut-out (mm)	Pcs (/pack)
DES LC16	1731010344		86 x 36	10
DES LC16/2	1731010346		86 x 36	
ON REQUEST				
Mounting screws	1731991020	Set of 4 mounting screws in AISI304 with Black Geomet finishing		

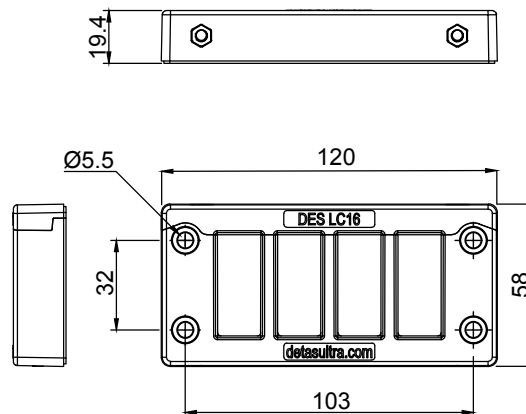
DES LC16



DES LC16/2



Dimensions (mm)



IP54

NEMA 12



IK10

GROUP

1



DES LC10

Splittable frame for cables with and without connectors

FEATURES

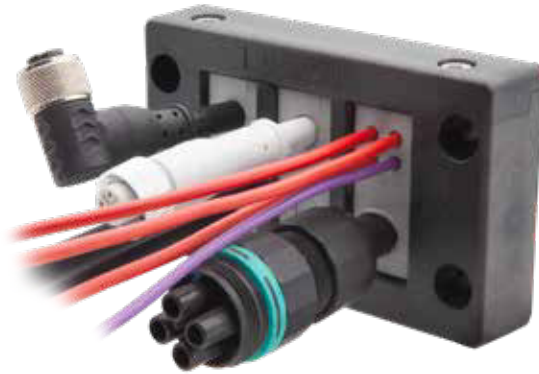
- For SPC and SPN grommets
- Stainless steel screws
- Strain relief according to EN 62444
- IP54
- Integrated UL94-V0 gasket

The DES LC10 is a split cable entry frame designed for quick and flexible routing of pre-terminated or unterminated cables. It supports both small and large grommets of the SPC and SPN ranges, allowing multiple cable configurations. The frame features a pre-assembled gasket for direct mounting onto the cabinet, and is secured using stainless steel screws. The complete system (frame, grommets and gasket) is certified to UL94 V0.

Material: PP+GF, halogens and silicones free
Flammability: self-extinguishing acc. to UL94-V0 including gasket
Temperature: -40°C... +130°C (static)

RELATED PRODUCTS

- SPC grommets
- SPN grommets
- HY360 hydraulic punch driver

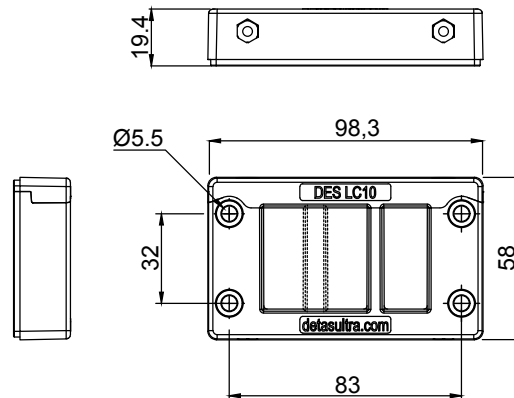


Model	Code	Some possible configurations	Cut-out (mm)	Pcs (/pack)
DES LC10	1731010348		65 x 36	10

ON REQUEST

Mounting screws	1731991020	Set of 4 mounting screws in AISI304 with Black Geomet finishing
-----------------	------------	---

Dimensions (mm)



GROUP
1



IP54

NEMA
12



IK10



FEATURES

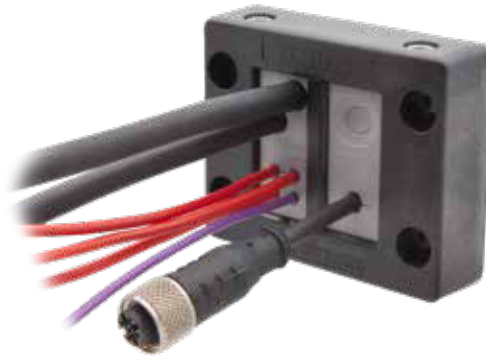
- For SPC and SPN grommets
- Stainless steel screws
- Strain relief according to EN 62444
- IP54
- Integrated UL94-V0 gasket

The DES LCQ is a split cable entry frame designed for quick and flexible routing of pre-terminated or unterminated cables. It supports both small and large grommets of the SPC and SPN ranges, allowing multiple cable configurations. The frame features a pre-assembled gasket for direct mounting onto the cabinet, and is secured using stainless steel screws. The complete system (frame, grommets and gasket) is certified to UL94 V0.

Material: PP+GF, halogens and silicones free
Flammability: self-extinguishing acc. to UL94-V0 including gasket
Temperature: -40°C... +130°C (static)

RELATED PRODUCTS

- SPC grommets
- SPN grommets
- HY360 hydraulic punch driver

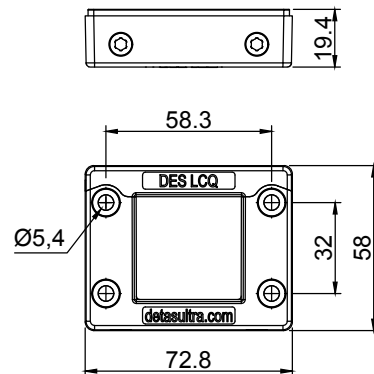


Model	Code	Some possible configurations	Cut-out (mm)	Pcs (/pack)
DES LCQ	1731010350		40 x 39	10

ON REQUEST

Mounting screws	1731991020	Set of 4 mounting screws in AISI304 with Black Geomet finishing
-----------------	------------	---

Dimensions (mm)



IP54

NEMA 12



IK10

GROUP

1



SPC RANGE

SPC 1

SPC single grommet

FEATURES

- Openable cable grommet for diameters from 1 to 2 mm
- Grey and black versions
- UL94-V0 for both colors

The SPC 1 is an openable cable grommet which can be used into the OSF or DES "XX" CLICK and DES LC series to route preterminated cables with diameters from 1 to 2 mm. Discover the entire range of SPC models by scanning the QR code.

Material: TPE, halogens and silicones free

Flammability: self-extinguishing acc. to UL94-V0 (grey or black)

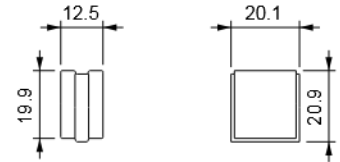
Temperature: -40°C... +110°C (static)



RELATED PRODUCTS

- OSF Series
- DES CLICK Series
- DES LC Series
- ISP Plugs

Dimensions (mm)



Model	Code	Ø Cable (mm)	Model	Code	Pcs (/pack)
■ SPC 1G	1731052501	1-2	■ SPC 1B	1731052601	10



IP54

NEMA 12



ECOLAB



SPC R RANGE

SPC R4

SPC R grommet with extended range

FEATURES

- Multi-range grommet for cables from 12 to 14 mm diameter
- IP54
- Grey and black colours available
- UL94-V0 for both colours

The SPC R family's extended range grommets allow cables with and without connectors to be routed through DES CLICK, DES LC and OSF frames. We introduce a new R4 version for cable diameters from 12 to 14 mm.

Discover the entire range of SPC R models by scanning the QR code.



RELATED PRODUCTS

- OSF Series
- DES CLICK Series
- DES LC Series
- ISP Plugs

Material: TPE, halogens and silicones free

Flammability: self-extinguishing acc. to UL94-V0 (grey or black)

Temperature: -40°C... +110°C (static)

Dimensions (mm)



Model	Code	Model	Code	Ø Cable max (mm)	Pcs (/pack)
■ SPC R4G	1731053104	■ SPC R4B	1731053109	12-14	10



IP54

NEMA 12

ECOLAB



UL TYPE 12

GROUP 1



SPN grommets – large with extended range

FEATURES

- Large grommets for cables from 11,5 to 31 mm diameter
- Suitable for DES LC24, LC16, LC10 and LCQ frames only
- “Blind” version available
- Grey and black colours available
- UL94-V0 for both colours
- IP54

SPN is the new family of large multi-range grommets designed for the DES LC24, LC16, LC10 and LCQ frames. The range covers cable diameters from 11,5 mm to 31 mm with only five models.

The SPN 2R1 can accommodate two cables with a diameter of 16–17 mm.

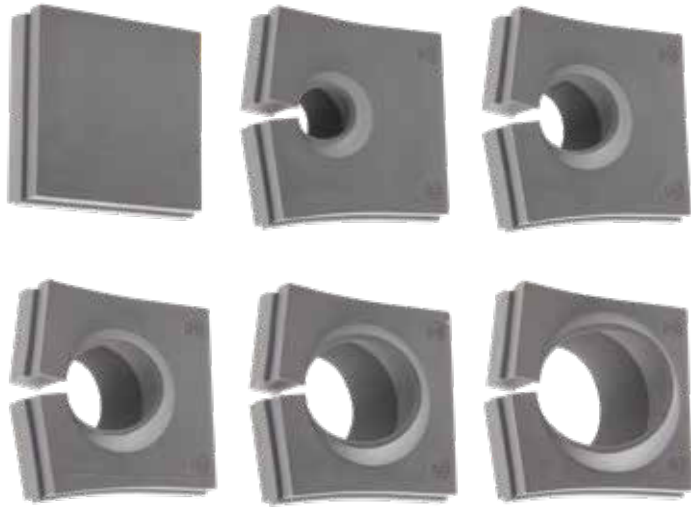
Material: TPE, halogens and silicones free

Flammability: self-extinguishing acc. to UL94-V0 (grey or black)

Temperature: -40°C... +110°C (static)

RELATED PRODUCTS

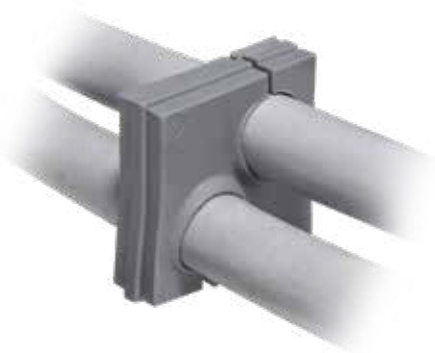
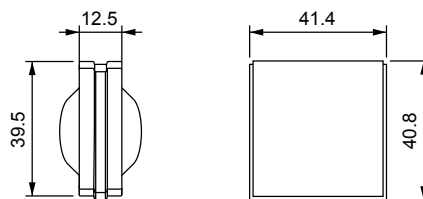
- DES LC24
- DES LC10
- DES LC16
- DES LCQ



Model	Code	Model	Code	Ø Cable (mm)	Pcs (/pack)
SPN 0G	1731053110	SPN 0B	1731053140	“Blind”	10
SPN 13G	1731053115	SPN 13B	1731053145	11,5-16	
SPN 17G	1731053120	SPN 17B	1731053150	16-20	
SPN 21G	1731053125	SPN 21B	1731053155	20-24	
SPN 25G	1731053130	SPN 25B	1731053160	24-28	
SPN 29G	1731053135	SPN 29B	1731053165	28-31	

Model	Code	Cable diameter range (mm)	Pcs (/pack)
SPN 2R1G	1731053137	(2x) 16-17	10
SPN 2R1B	1731053167	(2x) 16-17	10

Dimensions (mm)



IP54

NEMA 12



ECOLAB



GROUP 1



SPG 2R



SPG grommets - double with extended range

FEATURES

- Large grommets for cables from 18 to 20 mm diameter
- IP66
- Grey and black colors
- UL94-V0 for both colors

The multi-range, openable grommets of the SPG 2R Series allow the use of cables with or without connectors. They are suitable for cables with diameters from 18 to 20 mm. SPG 2R grommets enable routing of two cables simultaneously, even with different diameters, ensuring significant savings in terms of cost, time, and space compared to traditional solutions.

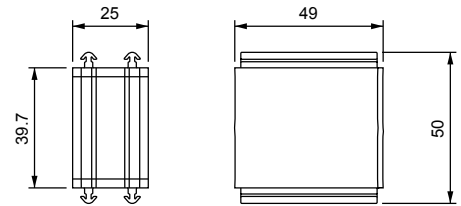
Material: TPE, halogens and silicones free
Flammability: self-extinguishing acc. to UL94-V0 (gray and black)
Temperature: -40°C... +110°C (static)



RELATED PRODUCTS

- DES Series
- DESPRED Series
- DESCLICK Series
- DES M Series

Dimensions (mm)



Model	Code	Cable diameter range (mm)	Pcs (/pack)
SPG 2R1G	1731022140	18 - 20	10
SPG 2R1B	1731022240	18 - 20	10



IP66



ECOLAB



ISP RANGE

ISP

Plugs for SPP, SPC and SPG series

FEATURES

- Plastic plugs for grommets, from 18 to 34 mm diameter

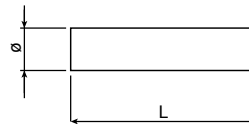
The new ISP series plugs are designed to fit into SPG grommets with diameters from 18 to 34 mm.

Discover the entire range of ISP models by scanning the QR code.

Material: ABS, halogens and silicones free
Flammability: self-extinguishing acc. to UL94-V0
Temperature: -40°C... +120°C (static)



Dimensions (mm)



RELATED PRODUCTS

- SPG grommets

New models	Code	Ø (mm)	L (mm)	New models	Code	Ø (mm)	L (mm)
ISP 18	1731040018	18	20	ISP 27	1731040027	27	20
ISP 19	1731040019	19		ISP 28	1731040028	28	
ISP 20	1731040020	20		ISP 29	1731040029	29	
ISP 21	1731040021	21		ISP 30	1731040030	30	
ISP 22	1731040022	22		ISP 31	1731040031	31	
ISP 23	1731040023	23		ISP 32	1731040032	32	
ISP 24	1731040024	24		ISP 33	1731040033	33	
ISP 25	1731040025	25		ISP 34	1731040034	34	
ISP 26	1731040026	26					

GROUP 1

up to IP66





Split cable frame with brush

FEATURES

- Splittable brush frame for cables with or without connectors
- Compact and cost-effective solution
- UL94V0

The DES HZ 24 allows cables with or without connectors to pass through cabinets and electrical panels where no water protection or mechanical cable sealing is required. Thanks to its split frame, the DES HZ 24 model can be easily installed even after the cables have already been routed. This ensures a tidy and orderly cable arrangement.

Discover the entire range of DES Z models by scanning the QR code.

Material: PC, halogens and silicones free

Flammability: self-extinguishing acc. to UL94-V0

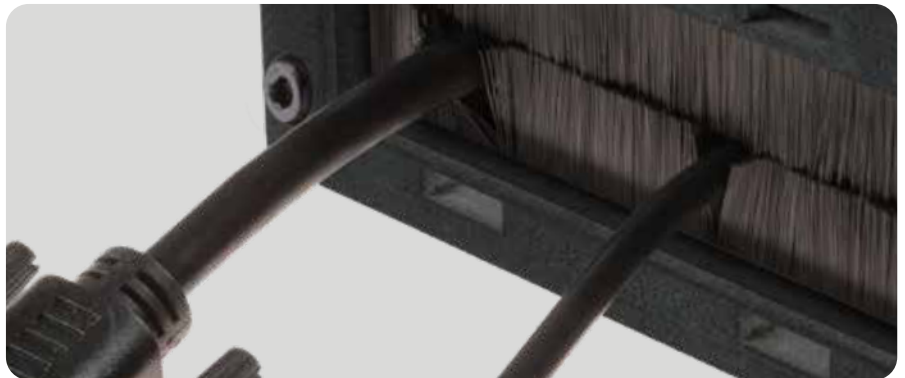
Temperature: -25°C... +80°C (static)

RELATED PRODUCTS

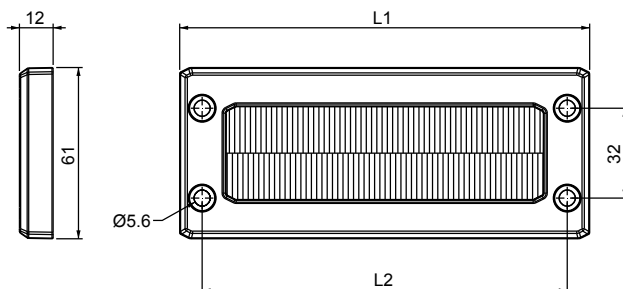
- DES Cover
- HY360 hydraulic punch driver
- PF cable entry system plates
- EMCZ



New model	Code	Dimensions (mm)		Max. cut-out (mm)	Pcs (/pack)
		L1	L2		
DES HZ 24	1731060124	146	130	112 x 39	10



Dimensions (mm)





DES PMA

Round multi-range grommets for single cable

FEATURES

- For cable with or without connectors
- Multi range
- Cost-efficient solution
- IP54

The DES PMA is a multi-range cable grommet designed to route preterminated cables through walls with M32 metric cut-outs. The part is molded open and returns to its closed position after the cable has been inserted, while the simultaneous wall mounting guarantees mechanical and liquid tightness.

Material: TPE, halogens and silicones free

Flammability: self-extinguishing acc. to UL94-V0

Temperature: -40°C... +110°C (static)

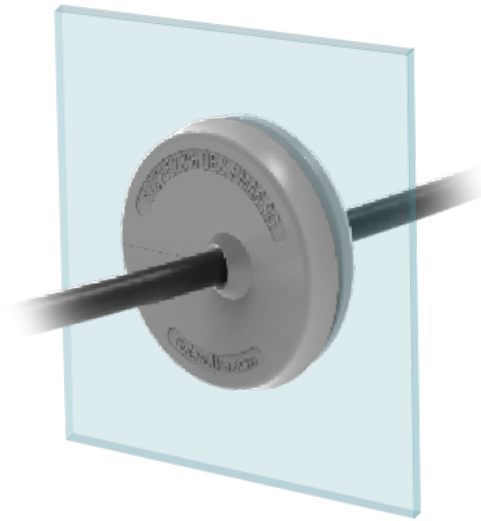
Wall thickness: from 1,5 to 2,5 mm

RELATED PRODUCTS

- ISP plugs
- HY360 hydraulic punch driver

NC: Number of cables

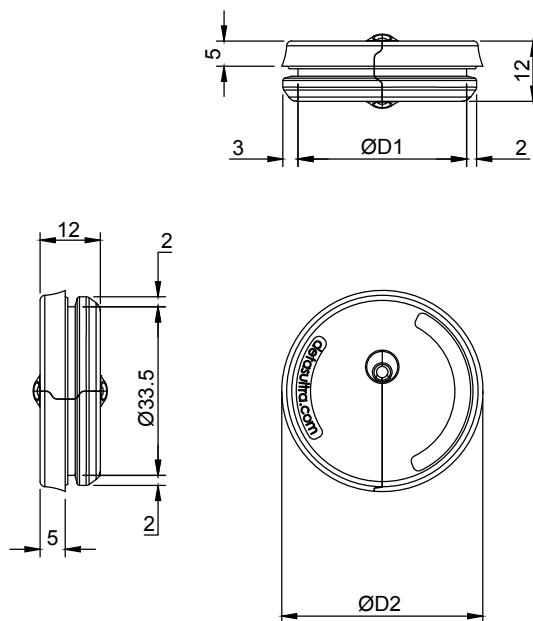
ØC: Diameter of cables - max (mm)



Model	Code				NC	ØC
DES PMA32 3-6	1732052203					
Cut-out	ØD1 (mm)	ØD2 (mm)	Pcs/pack			
M32	33,5	40	10			

Model	Code				NC	ØC
DES PMA32 6-9	1732052206					
Cut-out	ØD1 (mm)	ØD2 (mm)	Pcs/pack			
M32	33,5	40	10			

Dimensions (mm)



GROUP
1



IP54



ECOLAB



RoHS
COMPLIANT



Splittable grommet for cables with connectors

FEATURES

- For single, double or quadruple SPC grommets
- Compact size
- Quick installation
- IP54

The PMAC 32 cable grommet system is designed to route preterminated cables through walls with M32 metric cut-outs. The PMAC 32 frame accommodates one single, double, or quadruple SPC grommets, allowing flexible cable configurations. The divisible PMAC design facilitates installation, and once installed, the front depth is only 6 mm.

Material: TPE, halogens and silicones free

Flammability: self-extinguishing acc. to UL94-V0

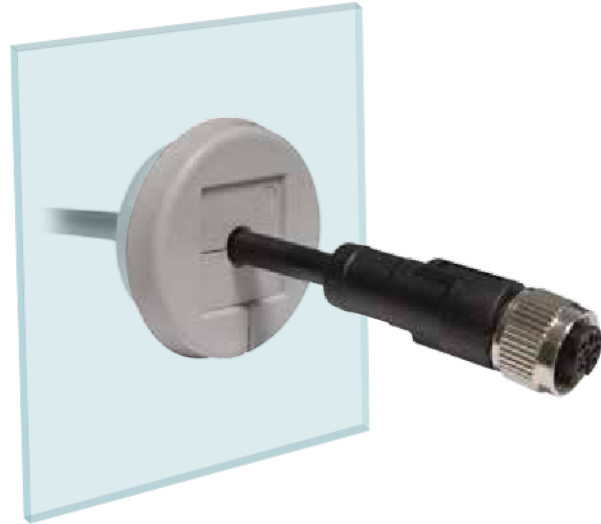
Temperature: -40°C... +110°C (static)

Wall thickness: from 1,5 to 2,5 mm

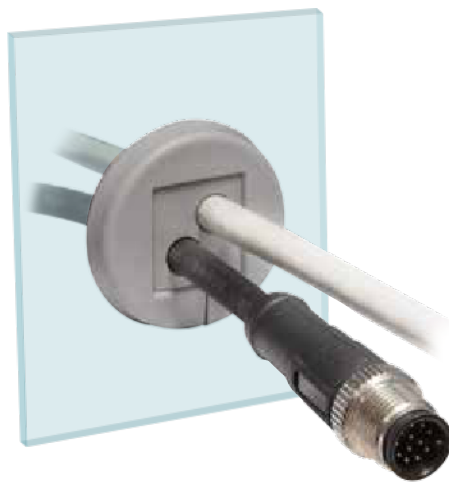
RELATED PRODUCTS

- SPC grommets
- ISP plugs
- HY360 hydraulic punch driver

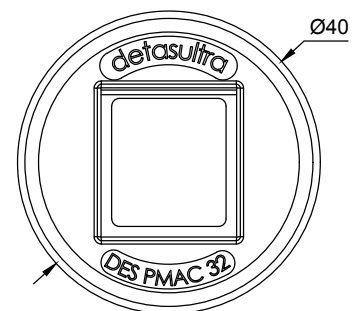
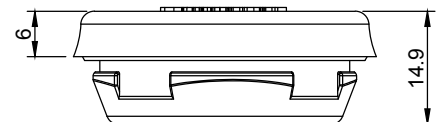
SPC grommets are sold separately



Model	Code	Cut-out	Max Nr. Cables	Ø Cable min - max	Pcs (/pack)
DES PMAC 32	1732052210	M32	4	1 - 15	10



Dimensions (mm)



IP54



ECOLAB



GROUP

1



DES PMAC 50

Splittable grommet for cables with connectors

FEATURES

- For 2 single, double or quadruple SPC grommets
- Compact size
- Quick installation
- IP54

The PMAC 50 cable grommet system is designed to route preterminated cables through walls with M50 metric cut-outs. The PMAC frame accommodates 2 single, double, or quadruple SPC grommets, allowing flexible cable configurations. The divisible PMAC design facilitates installation, and once

Material: TPE, halogens and silicones free

Flammability: self-extinguishing acc. to UL94-V0

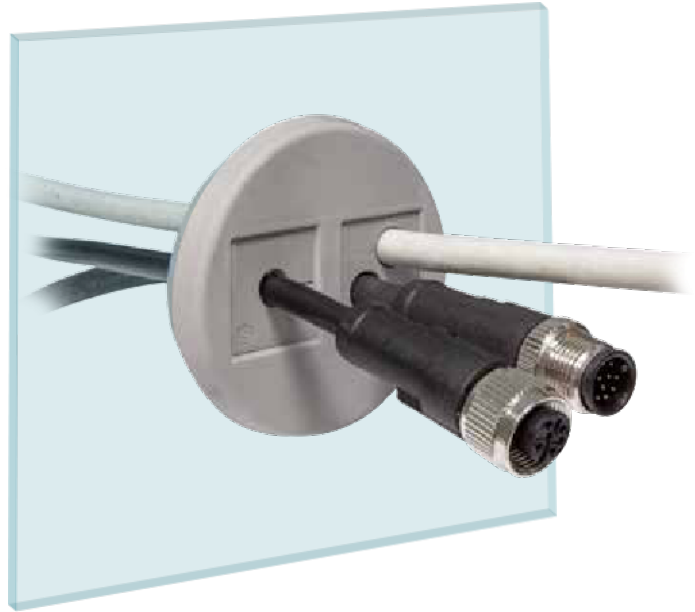
Temperature: -40°C... +110°C (static)

Wall thickness: from 1,5 to 2,5 mm

RELATED PRODUCTS

- SPC grommets
- ISP plugs
- HY360 hydraulic punch driver

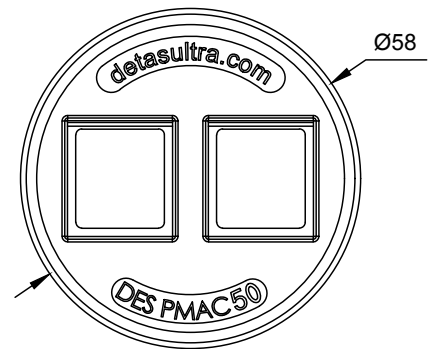
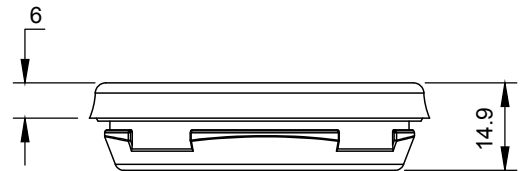
SPC grommets are sold separately



Model	Code	Cut-out	Max Nr. Cables	Ø Cable min - max	Pcs (/pack)
DES PMAC 50	1732052215	M50	8	1 - 15	10



Dimensions (mm)



GROUP
1



IP54



ECOLAB



RoHS
COMPLIANT



Splittable grommet for cables with connectors

FEATURES

- For 4 single, double or quadruple SPC grommets
- Compact size
- Quick installation
- IP54

The PMAQ cable grommet system is designed to route preterminated cables through walls with squared cut-outs. The PMAQ frame accommodates 4 single, double, or quadruple SPC grommets, allowing flexible cable configurations. The divisible PMA design facilitates installation, and once installed, the front depth is only 6,6 mm.

Material: TPE, halogens and silicones free

Flammability: self-extinguishing acc. to UL94-V0

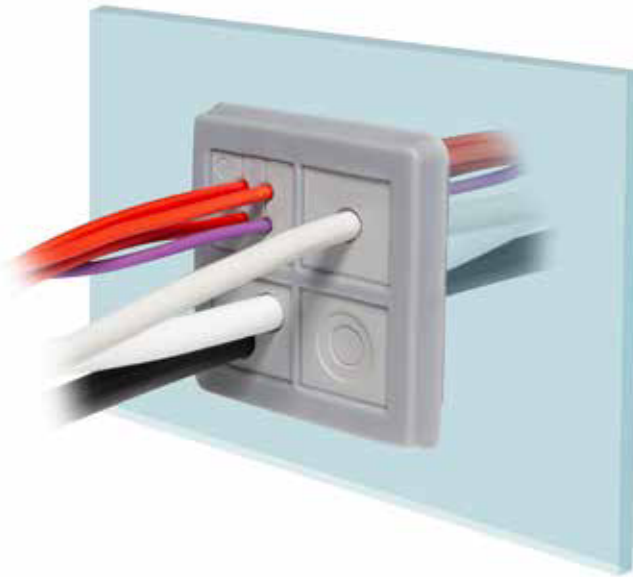
Temperature: -40°C... +105°C (static)

Wall thickness: from 1,5 to 2,5 mm

RELATED PRODUCTS

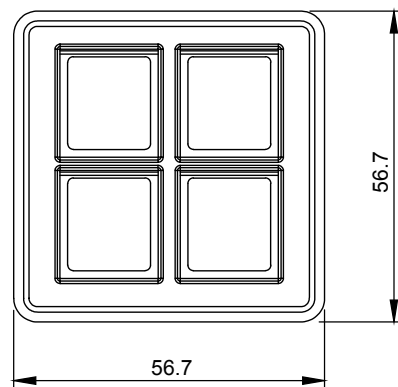
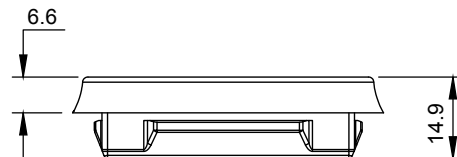
- SPC grommets
- ISP plugs
- HY360 hydraulic punch driver

SPC grommets are sold separately



Model	Code	Cut-out (mm)	Max Nr. Cables	Ø Cable min - max	Pcs (/pack)
DES PMAQ	1732052220	46 x 46	16	1 - 15	10

Dimensions [mm]



IP54



ECOLAB



GROUP

1



DES PMH 24

Cable entry plates with internal frame and double membrane

FEATURES

- Compact dimensions, ultra-thin
- For multiple cables without connectors
- High strain relief with double membrane
- Space saving and cost-efficient solution
- IP66

The DES PMH 24 is an innovative alternative to standard cable glands for machinery cabinets and equipment. Its ultra-thin design allows installation in limited spaces while maintaining excellent stability thanks to the integrated rigid frame. The cable is inserted through the front membrane, while the second membrane enhances strain relief and ensures liquid-tight sealing.

Material: TPE+PA66, halogens and silicones free

Flammability: self-extinguishing acc. to UL94-V0

Temperature: -40°C... +110°C (static)

RELATED PRODUCTS

- IFP plugs
- DES PDM caps
- Intumescent gasket

NC: Number of cables

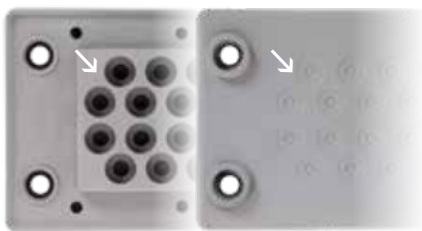
ØC: Diameter of cables - max (mm)



Model	Code		NC	ØC
DES PMH 24/25G	1732024025		6	7,5 / 12
Cut-out / Plate (mm)	Pcs/pack		7	4,8 / 9,7
112 x 36 / 148,6 x 59,6	10	12	3,2 / 6,5	

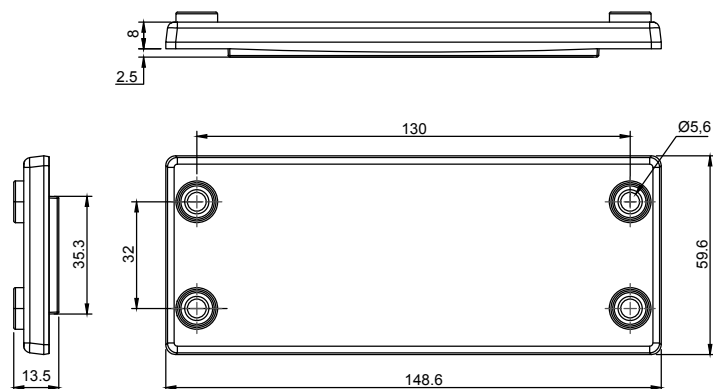
Model	Code		NC	ØC
DES PMH 24/34G	1732024034		34	3,2 / 6,5
Cut-out / Plate (mm)	Pcs/pack			
112 x 36 / 148,6 x 59,6	10			

Model	Code		NC	ØC
DES PMH 24/3G	1732024003		3	23/31
Cut-out / Plate (mm)	Pcs/pack			
112 x 36 / 148,6 x 59,6	10			



Double membrane

Dimensions (mm)



DES PM 16

Cable entry plates with double membrane



FEATURES

- For multiple cables without connectors
- High strain relief with double membrane
- Space saving and cost-efficient solution
- High IP protection (IP65)

The DES PM 16 is an alternative to standard cable glands on electrical, electronic and telecommunication cabinets and equipment.

The cable is pushed through the front membrane, whilst the second membrane increases the strain relief and liquid tightness.

Material: TPE, halogens and silicones free

Flammability: self-extinguishing acc. to UL94-V0

Temperature: -40°C... +110°C (static)

Wall thickness: from 1,5 to 2,5 mm

RELATED PRODUCTS

- IFP plugs

NC: Number of cables

ØC: Diameter of cables - max (mm)

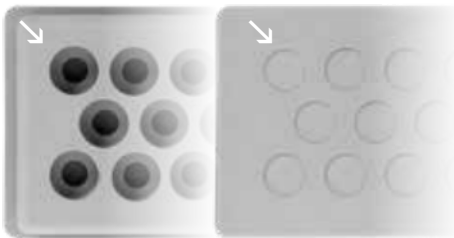


Model	Code		NC	ØC
DES PM 16/20G	1732052320		20	8,3
Cut-out (mm)	Plate (mm)	Pcs/pack		
86 x 36	98 x 46	10		

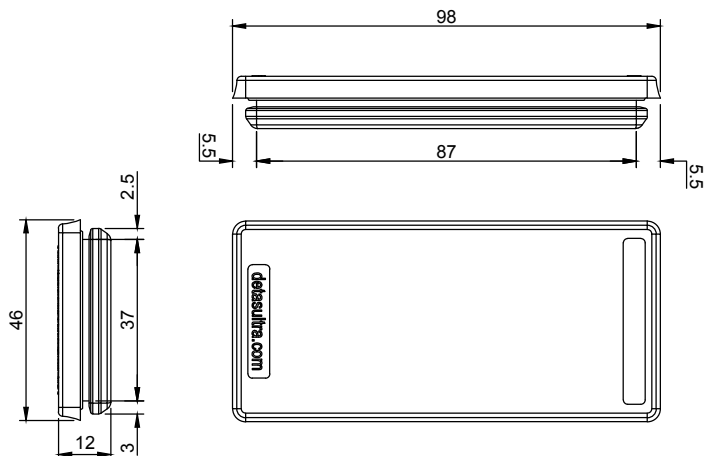
Model	Code		NC	ØC
DES PM 16/23G	1732052323		18	6,5
Cut-out (mm)	Plate (mm)	Pcs/pack	5	12,1
86 x 36	98 x 46	10		

Model	Code		NC	ØC
DES PM 16/26G	1732052326		19	6,5
Cut-out (mm)	Plate (mm)	Pcs/pack	7	8,3
86 x 36	98 x 46	10		

Dimensions (mm)



Double parallel membrane



IP65

NEMA 12

UL TYPE 12



ECOLAB

UL94-V0



RoHS COMPLIANT

GROUP

2



DES PM M20

Round cable entry plates with double membrane

FEATURES

- High strain relief thanks to the double membrane
- Cost-efficient solution
- High IP protection (IP65)
- Metric size

The round metric DES PM M20 is a practical alternative to standard cable glands for electrical, electronic, and telecommunication cabinets and equipment.

Cables are simply pushed through the front membrane, while the secondary membrane enhances strain relief and ensures improved liquid-tight performance.

Material: TPE, halogens and silicones free

Flammability: self-extinguishing acc. to UL94-V0

Temperature: -40°C... +110°C (static)

Wall thickness: from 1,5 to 2,5 mm

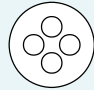
RELATED PRODUCTS

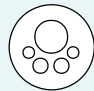
- IFP plugs
- HY360 hydraulic punch driver

NC: Number of cables

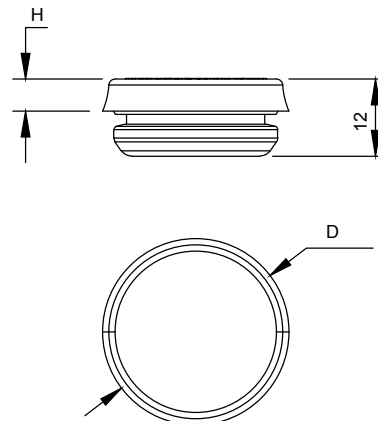
ØC: Diameter of cables - max (mm)



Model		Code			NC	ØC
DES PM M 20/4G		1732062004				
Cut-out	ØD (mm)	H (mm)	Pcs/pack			
M20	29	5	10			

Model		Code			NC	ØC
DES PM M 20/5G		1732062005				
Cut-out	ØD (mm)	H (mm)	Pcs/pack			
M20	29	5	10	2	4,6	
				2	3,6	

Dimensions (mm)





APD strain relief module for DIN rails

FEATURES

- Strain relief according to EN 62444
- Easy to install
- Cost efficient solution
- UL94-V0

The APD modules are used in electrical cabinets to organise the cables whilst providing strain relief according to EN 62444. The APD modules can be used on DIN rails or C30 rails. The cables can be fixed with standard plastic ties or reusable velcro ties. Discover the entire range of APD models by scanning the QR code.

Material: PA66+GF, halogens and silicones free

Flammability: self-extinguishing acc. to UL94-V0

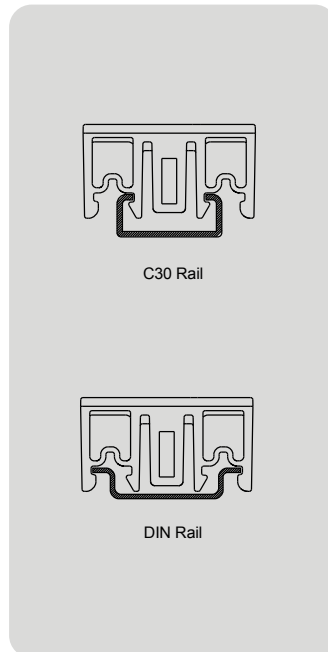
Temperature: -40°C... +140°C (static)

RELATED PRODUCTS

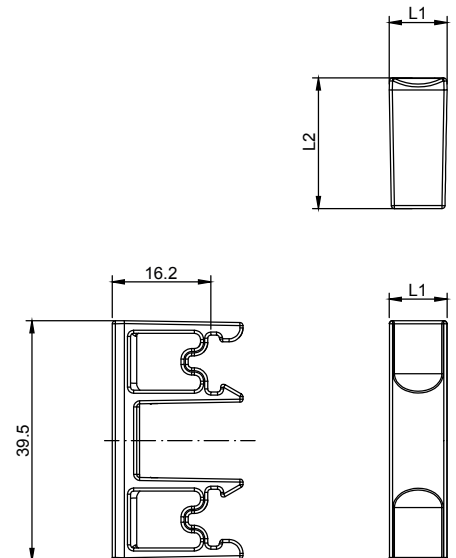
- FV cable ties



New model	Code	Dimensions (mm)		Teeth	Pcs (/pack)
		L1	L2		
APD 10	1733000001	9,5	21,5	1	10



Dimensions (mm)





FEATURES

- Suitable for a cable diameter range from 3 to 20 mm
- Shield grounding and strain relief in one device
- Compact size, side-by-side mounting
- Screw fixing hole M4
- Strain relief with 2 cable ties
- Cost-effective solution
- One-hand cable insertion

MSAD Series shielding clamps offer an innovative solution for grounding cable shields. They are manufactured as a single molded piece, eliminating the need for rivets. This feature delivers significant cost savings and extends the clamp's lifespan. Another key advantage is the clamp's width, which allows side-by-side mounting and provides considerable space savings. In addition, the clamp remains perfectly aligned with the panel base, enabling much faster cable insertion, even with one hand.

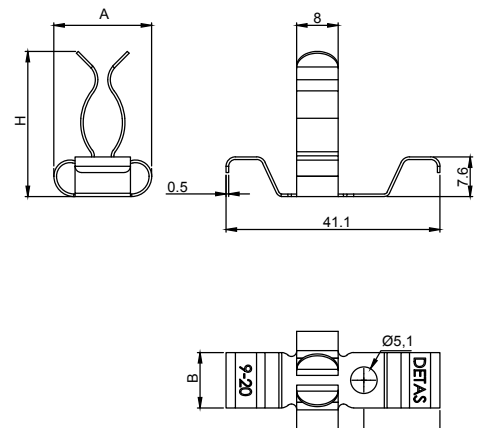
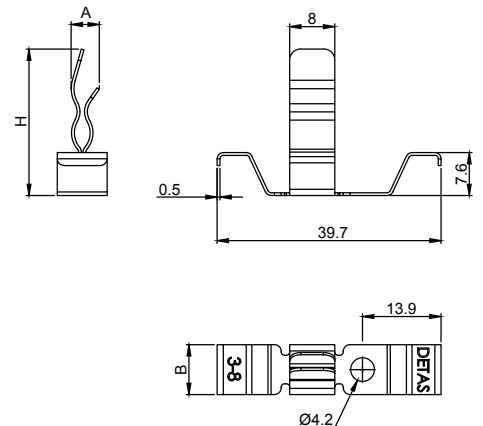
Material: spring steel, zinc plated

Cable ties are sold separately



Model	Code	Clamping range (mm)	Dimensions (mm)			Pcs (/pack)
			A	B	H	
MSAD 3-8	1734030193	3 - 8	5	8,9	25	50
MSAD 9-20	1734030200	9 - 20	18,8	10,7	27,9	

Dimensions (mm)





Shielding clamp for 10x3 mm busbar

FEATURES

- Suitable for a cable diameter range from 3 to 11 mm
- Shield grounding and strain relief function with the same device
- Snap-in assembly, no need to use tools
- Constant pressure on the cable braid without having to run tests and checks

The MSRK 3-11 shielding clamp enable the cable shield to be grounded easily and effectively. This clamp secure the additional strain relief function with one cable tie. The MSRK 3-11 shielding clamp can be used on 10x3 busbar. The strain relief function complies with EN 62444 standard. Discover the entire range of MSRK models by scanning the QR code.

Material: spring steel, zinc plated

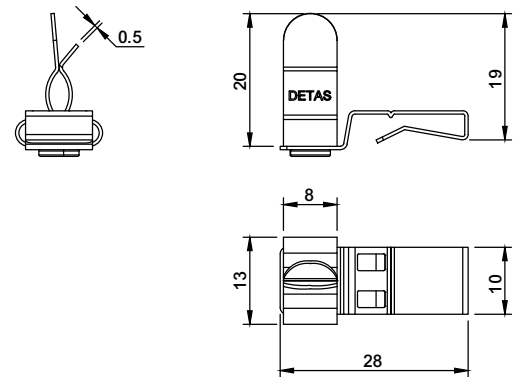
Cable ties are sold separately



New model	Code	Clamping range (mm)	Pcs (/pack)
MSRK 3-11	1734040250	3 - 11	50



Dimensions (mm)



MSRQ

Shielding clamps for 10x3 mm busbar

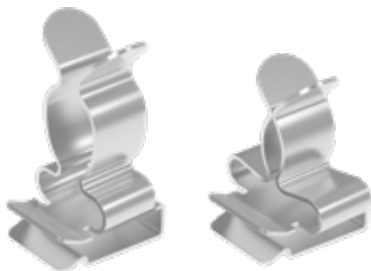
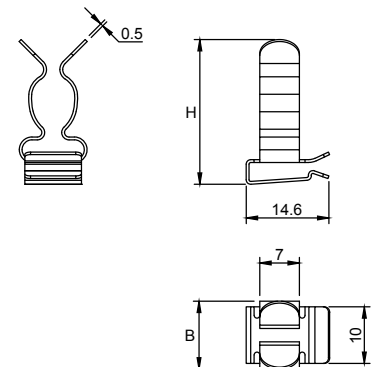
FEATURES

- Installation on 10x3 busbar
- Very compact size
- Snap-in assembly, no need to use tools
- Constant pressure on the cable braid without having to run tests and checks

MSRQ Series shielding clamps offer an innovative solution for grounding cable shields. They are manufactured as a single molded piece, eliminating the need for rivets. This feature delivers significant cost savings and extends the clamp's lifespan. Another key advantage is the clamp's width, which allows side-by-side mounting and provides considerable space savings.

Material: spring steel, zinc plated

Dimensions (mm)



Model	Code	Clamping range (mm)	Dimensions (mm)		Pcs (/pack)
			B	H	
MSRQ 3-12	1734040385	3 - 12	16	19,7	50
MSRQ 9-12	1734040345	9 - 12	12	25,6	



FEATURES

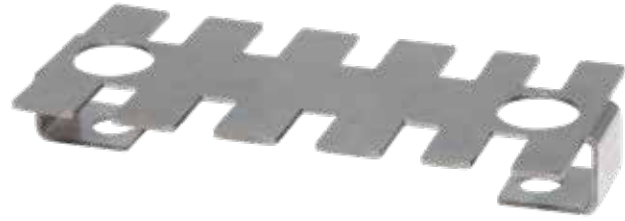
- Cable shielding capability
- Strain relief according to EN 62444
- Easy to install
- Cost efficient solution

The EMC AP modules are used in electrical cabinets to organize cables and ground cable shields via the integrated metal plate. Cables can be secured using standard plastic ties or reusable Velcro® ties.

Material: Stainless steel SS 304

RELATED PRODUCTS

- AP Series
- FV cable ties

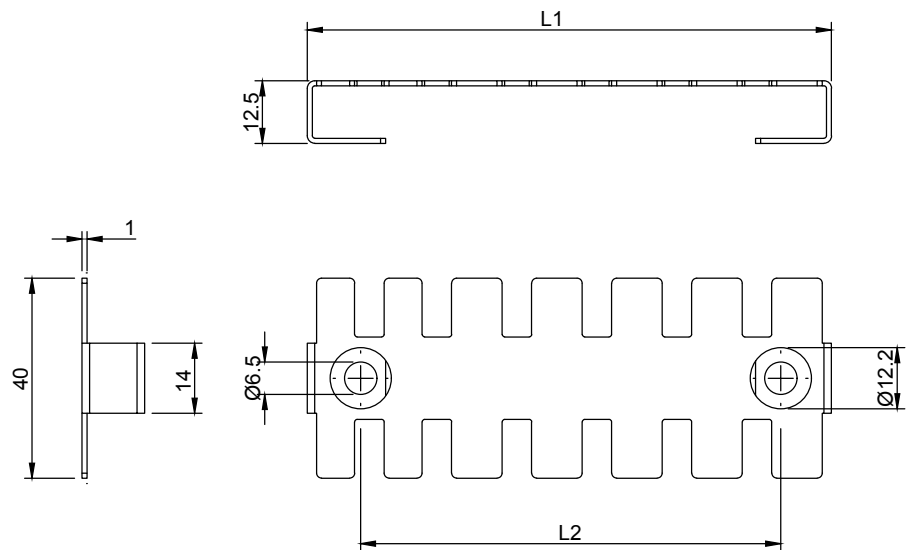


Model	Code	Dimensions (mm)		Teeth	Pcs (/pack)
		L1	L2		
EMC AP-39	1739020013	40,8	19,5	3	10
EMC AP-60	1739020014	62,4	43,5	4	
EMC AP-70	1739020015	72	43,5	5	
EMC AP-87	1739020016	88,8	68	6	
EMC AP-103	1739020017	104,8	84	7	
EMC AP-121	1739020018	123,91	102,5	8	
EMC AP-140	1739020019	142,4	121	9	
EMC AP-180	1739020110	182,9	157	12	



AP strain relief module and cable ties are sold separately

Dimensions (mm)





EMC and strain relief brackets for splittable cable glands and DES PDM M

FEATURES

- Direct installation on the threaded body
- Effective grounding of the cable shield with integrated strain relief
- Quick installation



The brackets of the EMCZ M series can be installed on DESPRED 63, DES PDM M40, DES PDM M50 and DES PDM M63. With the same device, it is possible to ground the cable shielding and achieve the strain relief function with cable ties.

Material: Cold-rolled low carbon steel

RELATED PRODUCTS

- DES PDM M
- DESPRED
- OSF
- DESCLICK

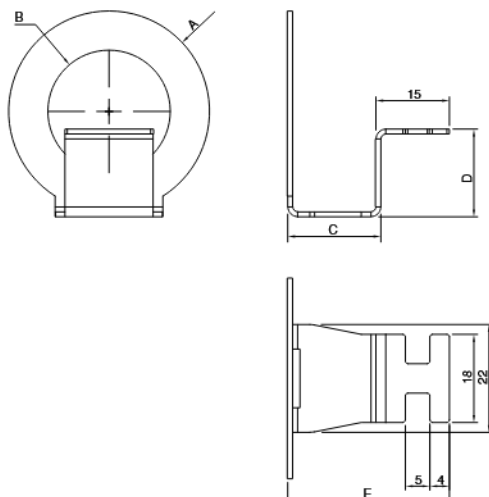
Cable ties are sold separately

Model	Code	M	Dimensions (mm)					Pcs (/pack)
			A	B	C	D	E	
EMCZ-M20	1734090120	20	R14	Ø20	17	10,5	31	1
EMCZ-M25	1734090125	25	R20,5	Ø25	19	17,9	33	
EMCZ-M32B	1734090232	32	R23	Ø32	22	15,9	36	
EMCZ-M32G	1734090126	32	46	49,4	35,7	21	9,5	
EMCZ-M40	1734090140	40	49	55,7	41,6	24,4	9,5	
EMCZ-M50	1734090150	50	60	66	52	25,2	8	
EMCZ-M63	1734090163	63	75	83	65	28,6	8	

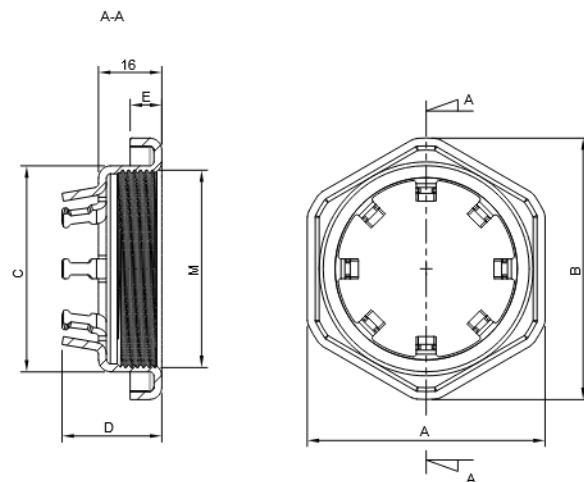


Dimensions (mm)

EMCZ-M20 / EMCZ-M25 / EMCZ-M32B



EMCZ-M32G / EMCZ-M40 / EMCZ-M50 / EMCZ-M63





MB
RANGE

MBC

C30 Rail base

FEATURES

- Steel C30 Rail base
- Quick installation with rivets
- Strong and secure fixing

The MBC DIN rail bases are used for quick installation of any kind of device on the C30 rail. Discover the entire range of MB models by scanning the QR code.

Material: spring steel, zinc plated

RELATED PRODUCTS

- MSS shield clamps
- MSS2 shield clamps
- MSL shield clamps
- MSS3 shield clamps
- MSAD shield clamps

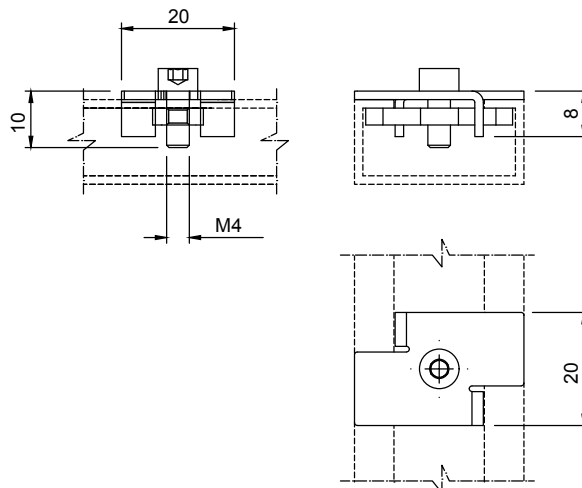
EMC Clamps are sold separately



New model	Code	Pcs (/pack)
MBC	1734000110	50



Dimensions (mm)





 **ERGATE**

ERGATE Automation s.r.o.
Kliny 35, 61500 Brno
tel.: +420 548 140 001
office@ergate.eu
www.ergate.eu

detasultra.com
detas.com

solutions around the cable